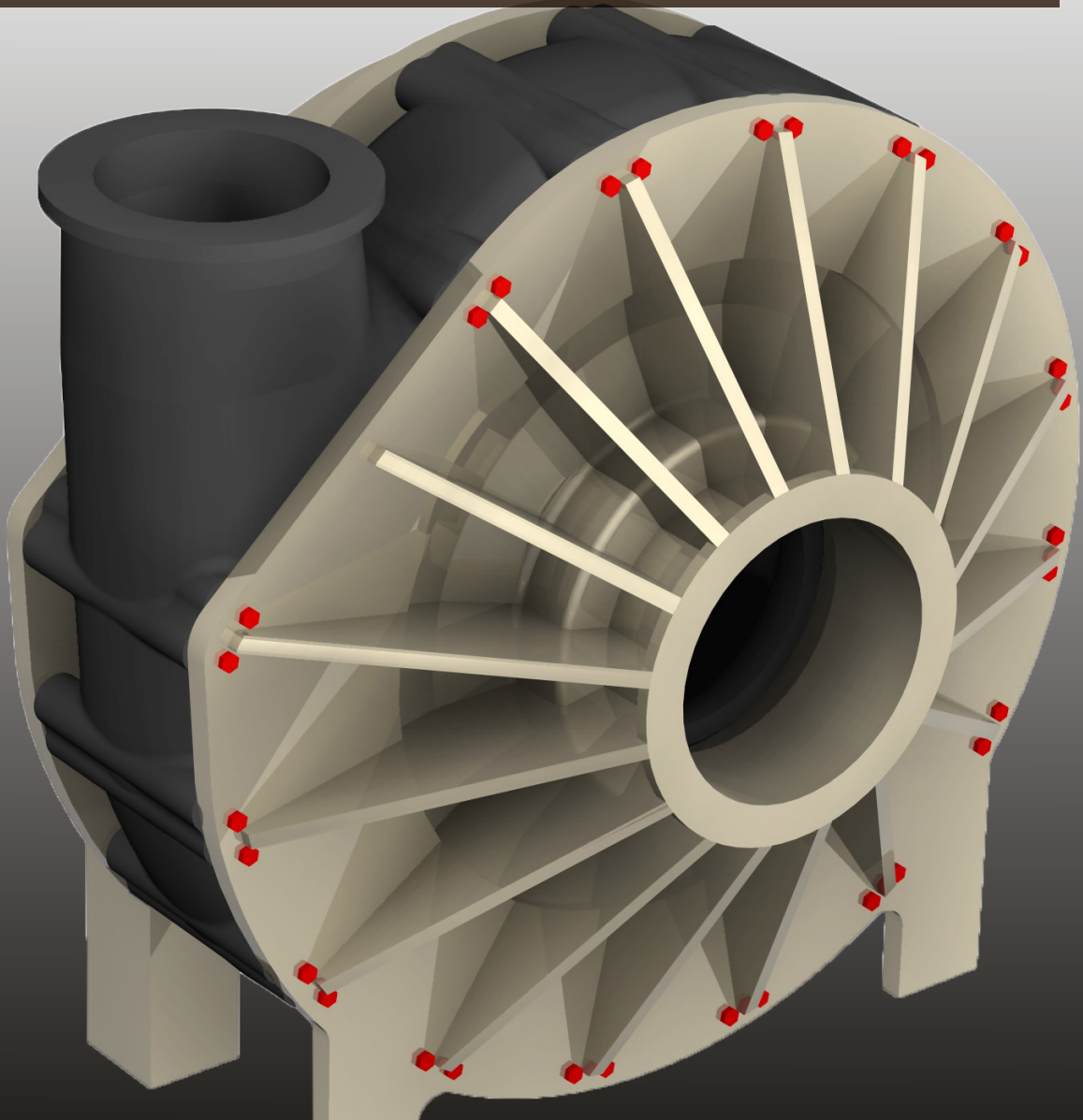


QuaZar[®] Strengthened single-walled dredge pump



Features

- Strong & robust shaft and suction covers
- Star-shaped reinforcement ribs
- Rim-shaped pump casing
- Double-grouped bolt construction

Benefits

- Reduced tensions in pump casing
- Improved wear linings and wear parts
- Hydraulic pump performance unaffected
- Can withstand extreme forces

Application

- Underwater pump unit
 - In a suction pipe
 - On a cutter ladder
- All other single-walled pump applications

Royal IHC

Smitweg 6, 2961 AW Kinderdijk
P.O. Box 1, 2960 AA Kinderdijk
The Netherlands

T +31 78 691 09 11
F +31 78 691 38 66

info@ihcmerwede.com
www.royalihc.com