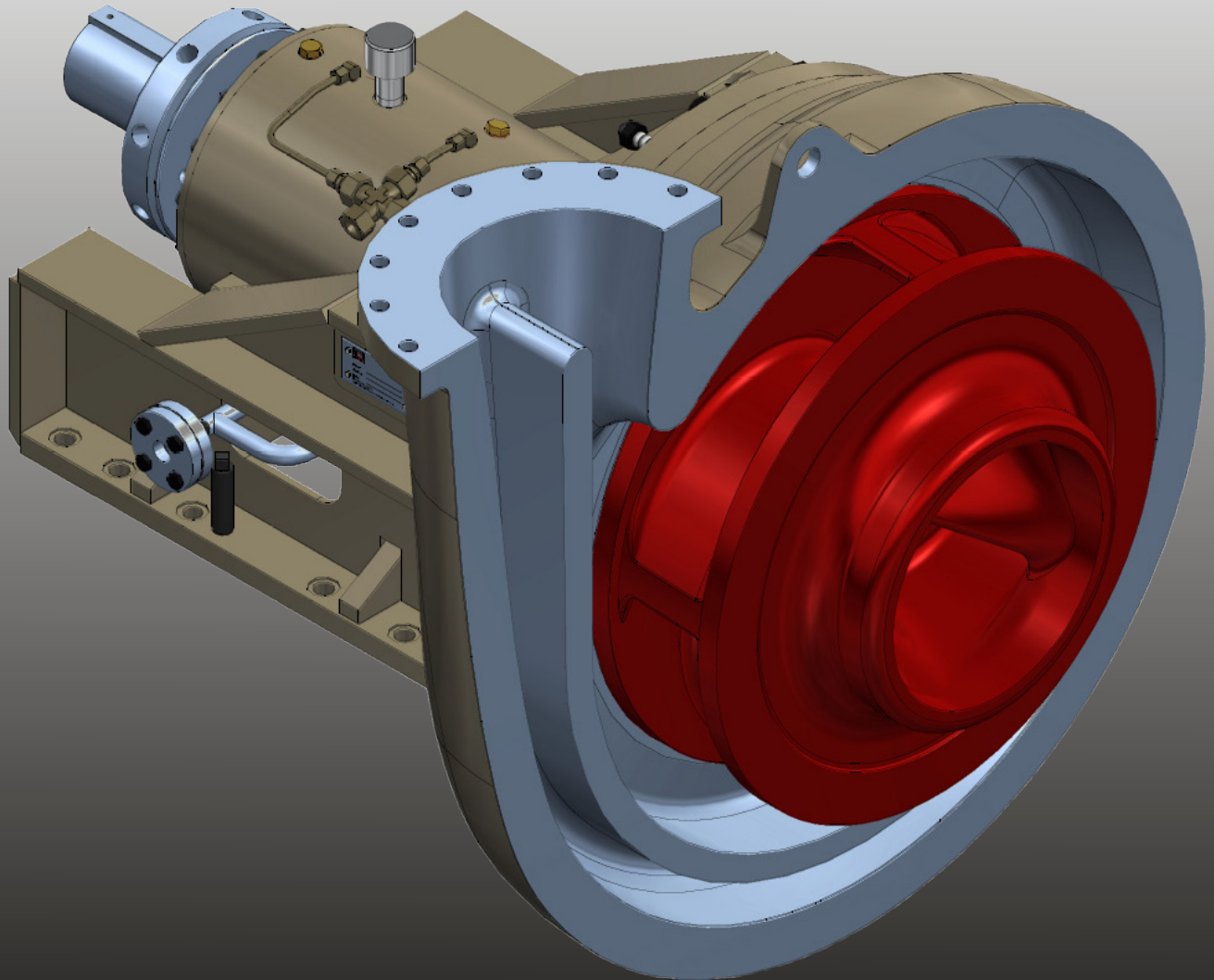


# JetSpecial®



## Features

- Double volute design
- Robust design with minimum number of parts
- Equipped with LIQUIDYNE® seal
- Low weight

## Benefits

- Low radial forces
- Reduced vibrations
- High efficiency
- Designed for a wide working range: high pressure for draghead and high flow for the hopper

### Royal IHC

Smitweg 6, 2961 AW Kinderdijk  
P.O. Box 1, 2960 AA Kinderdijk  
The Netherlands

T +31 78 691 09 11  
F +31 78 691 38 66

info@ihcmerwede.com  
www.royalihc.com