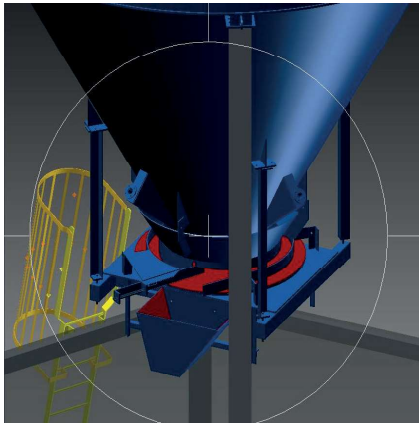


# ROTARY TABLE FEEDERS

## A CUT ABOVE THE REST



All rights reserved. Reproduction in any form or by any means is not allowed, without prior permission in writing from IHC Robbins.

IHC Robbins (IHCR) carry a range of rotary table feeders specifically designed for products where conventional feeders are problematic.

Our units can be supplied with manual feed gates or complete with pneumatically operated positioner for variable feeding rates.

IHCR uses quality power transmission equipment to ensure a high level of service and trouble free operation.

Our tables come in hot dip galvanized, powder coated or protective coated finish at the client's or process's request.



[IHCRROBBINS.COM](http://IHCRROBBINS.COM)