

TT-Pumps

Highly efficient submersible dredge pumps

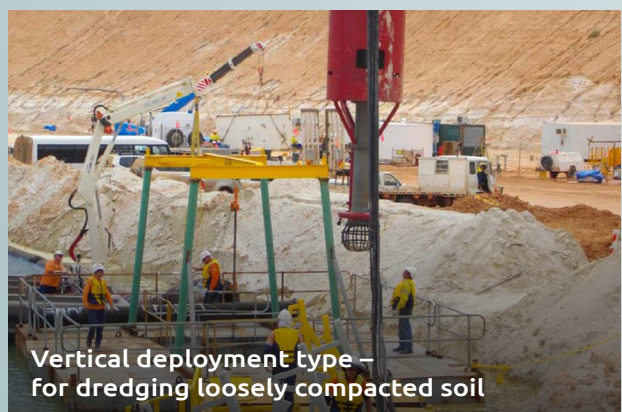
Royal IHC's TT-Pumps form a complete range of compact and cost-effective dredging units. These pumps are equipped with a highly efficient single-walled dredge pump with a large spherical passage and outstanding suction properties.

Advantages

- ✓ versatile and flexible
- ✓ electric or Hydraulic driven
- ✓ high efficiency and multi-purpose use
- ✓ wear resistant Maxidur®5 dredge pump
- ✓ large sphere passage
- ✓ cost-effective
- ✓ easy to handle, operate and maintain.

Multiple applications for your project

Royal IHC's TT-Pumps are versatile and can be operated from (amphibious) excavators, suspended from cranes, or fitted to our OTter dredger range utilising a vertical suspended system or ladder arrangement.

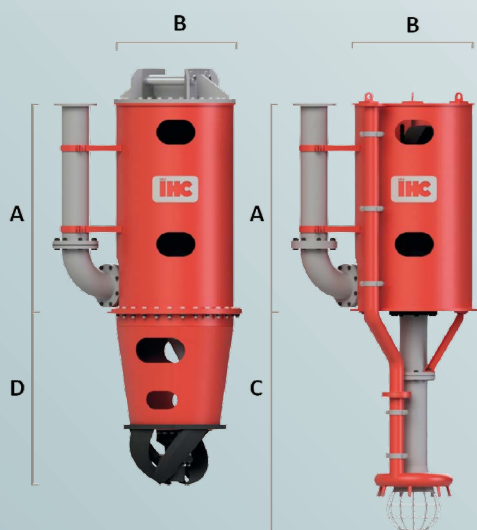


Submersible dredge units for multi-purpose dredging activities

Sand production head or cutter head

The TT-Pump can be fitted with a sand production head when dredging loose material down to 50m depths. Jetting water supplied to the sand production head aids fluidisation and maximise production.

Alternatively, utilising the same pump base, the TT-Pump can be fitted with a cutter unit when working with more consolidated material to aid the production process.



Monitor, analyse and improve the operation: production measurement package

Royal IHC's production measurement package provides operators of the Royal IHC TT-Pump with live operational information based on the flow rate and material density, thus ensuring maximum production efficiency and allowing for improvement of the operation. The system consists of electronic equipment that monitors, displays and logs (dredging) information such as:

- mixture density
- volumetric flow rate
- suction and discharge pressure
- dredging depth
- pump speed.

Resulting in less downtime and easier fault finding. All data can be stored and monitored remotely, allowing for remote off-site support.

Want to know what the opportunities are for your operation?
Please get in touch with IHC Mining

Main specifications TT-Pump	TT 15-65	TT 20-95	TT 24-150	TT 30-250	TT 35-375
Performance					
Max. pump capacity (m ³ /h)	550	900	1,300	2,000	2,700
Max. pump power (kW)	65	95	150	250	375
Jetting water					
Capacity (m ³ /h)	65	95	145	210	280
Dredge pump dimensions (in mm)					
Suction diameter	150	200	240	300	350
Discharge diameter	150	200	200	300	330
Max. ball passage	95	125	140	185	220
Weight (in kg)					
Pump base unit	1,015	1,575	2,435	4,055	4,210
Sand production head	105	185	290	480	605
Cutter unit	690	725	825	1,315	1,375
Cutter drive					
Max. power at shaft (kW)	13	21	25	44	46
Dimensions (in mm)					
A: Height pump base unit	1,415	1,545	1,755	2,060	2,240
B: Diameter pump base unit	1,020	1,135	1,340	1,540	1,735
C: Height sand production head	1,070	1,400	1,625	1,780	2,135
D: Height cutter unit	1,450	1,450	1,550	1,825	1,960