

Rental Closed loop HPUs

Our closed-loop hydraulic power units (HPUs) deliver reliable hydraulic power for critical offshore operations. Commonly paired with our linear cable engines, these units can be adapted for constant tension winches and other deck equipment.

Our HPUs are engineered for harsh marine environments, ensuring optimal performance through integrated cooling and system monitoring.

Key features

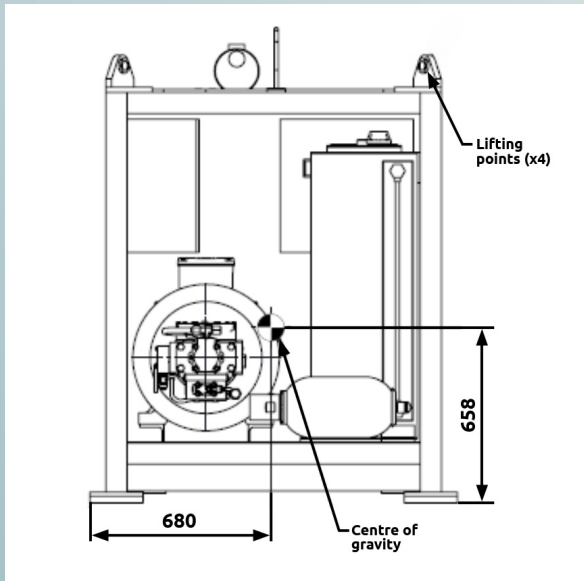
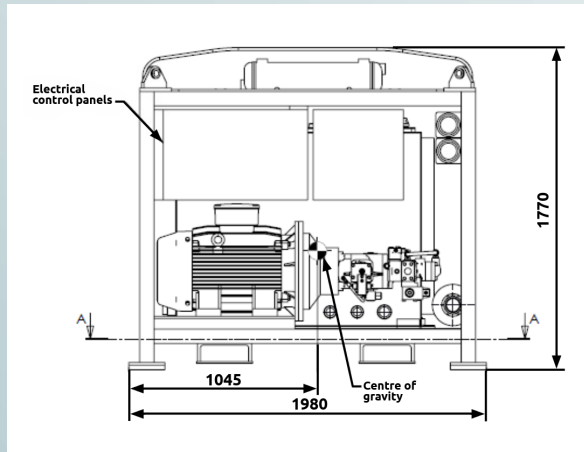
- ✔ Multi-application versatility for cable handling and tensioning
- ✔ Remote proportional control of flow and pressure
- ✔ Integrated air-blast cooler for temperature stability in extreme climates
- ✔ Compatible with various hydraulic oils
- ✔ Auxiliary pressure, boost, and return filtration systems
- ✔ Onboard health monitoring of oil temperature, level, and filter condition

Specifications

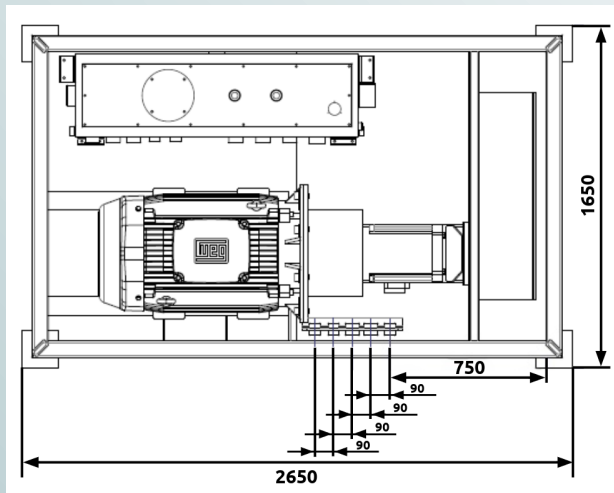
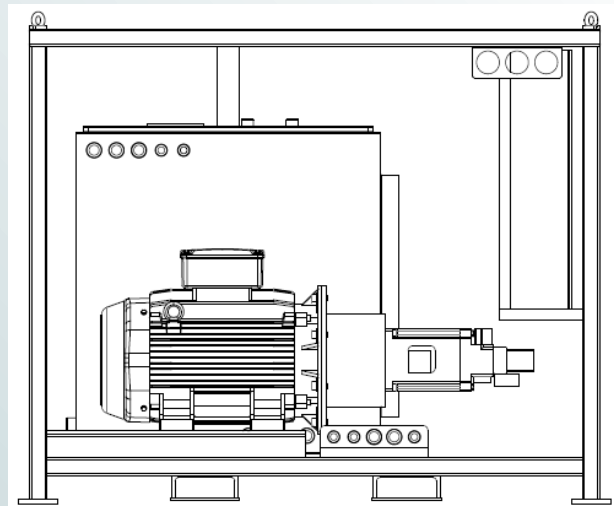
	75 kW	135 kW
Dimensions		
Width	1.6 m	1.7 m
Length	2.2 m	2.7 m
Height	2.3 m	2.5 m
Weight		
	2.8 Te	3.5 Te
Motor power		
	75 kW	135 kW
Power required		
	415 V / 125 A	415 V / 230 A
Main pump		
Maximum pressure	350 bar	350 bar
Maximum flow		
@ 1,500 rpm	166 L/min	269 L/min
@ 1,800 rpm	200 L/min	326 L/min
Auxiliary pump		
Maximum pressure	190 bar	190 bar
Maximum flow		
@ 1,500 rpm	45 L/min	69 L/min
@ 1,800 rpm	52 L/min	83 L/min
Air blast cooler		
	Yes	Yes
Oil tank heater		
	Yes	No

A plug-and-play solution for every budget, timeline and project requirement

Dimensions (75 kW)



Dimensions (135 kW)



Thoroughly tested and maintained

Our rental equipment is regularly tested, serviced and maintained to the highest standards by our in-house experts to keep them in top working order after every project.

All our rental equipment is provided with the following documentation, as applicable:

- O&M manual
- Hydraulic and electrical schematics
- General arrangement drawing
- Lift rigging certification
- Hose test certification
- Pre-hire test reports
- FAT documentation

Email: rentals@royalihc.com

Tel: +44 1670 365 913

