



# Rental Hydraulic winches

Our rental fleet includes Hydraulic Winch 110 (10-tonnes) and Hydraulic Winch 250 (25-tonnes). Designed for demanding offshore tasks, these winches are ideal for temporary solutions during breakdowns, overhauls, or project-specific needs.

Both the 110 and 250 are configurable to client requirements to deliver flexibility and robust performance.

### Modes of use

- Mooring and barge mooring
- Hoisting operations
- Temporary replacement for winch maintenance
- Tugger and cable handling support

### Additional capabilities

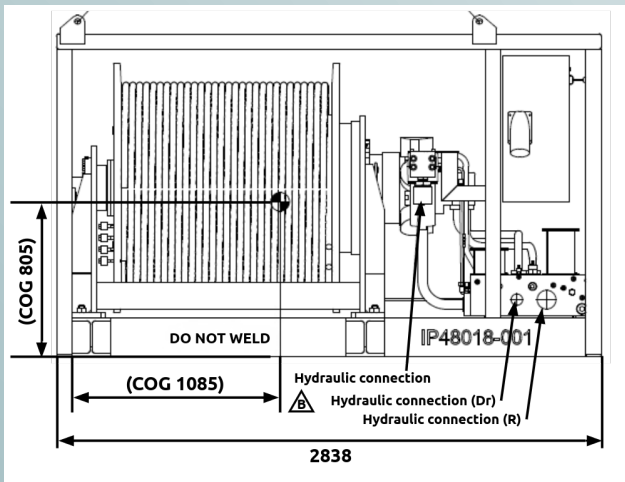
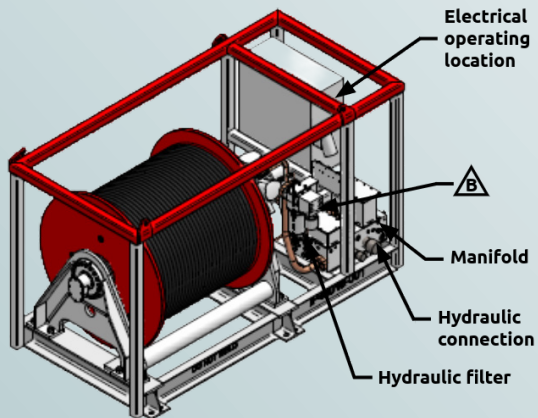
- Configurable to client requirements
- Up to three 250 winches can be powered simultaneously by a single HPU

### Specifications

	HW110	HW250
<b>Line pull (1<sup>st</sup> layer)</b>	250 kN maximum 110 kN nominal	250 kN maximum 125 kN nominal
<b>Line pull (6<sup>th</sup> layer)</b>		180 kN maximum 90 kN nominal
<b>Line speed (1<sup>st</sup> layer)</b>	20 m/min	15 m/min (max pull) 30 m/min (nom pull)
<b>Required pressure</b>		
Nominal pull	205 bar	300 bar
Maximum pull	420 bar	
<b>Holding force</b>	330 kN max.	375 kN max.
<b>Drum</b>		
Type	Smooth	Smooth
Diameter PCD	457 mm	796 mm
Width	540 mm	1,100 mm
<b>Mass</b>	1,155 kg excl. wire	4,500 kg excl. wire
<b>Wire</b>		
Wire capacity	141 m, 4 layers	500 m
Diameter	24 mm	34 mm
<b>Wire connection</b>	Connection at non-drive side Fixation on drum by clamping blocks	

Adaptable, stackable and operation-ready for your next offshore project

## Dimensions (HW250)



## Thoroughly tested and maintained

Our rental equipment is regularly tested, serviced and maintained to the highest standards by our in-house experts to keep them in top working order after every project.

Our hydraulic winches are provided with the following documentation, as applicable:

- ✓ O&M manual
- ✓ Hydraulic and electrical schematics
- ✓ General arrangement drawing
- ✓ Lift rigging certification
- ✓ Hose test certification
- ✓ Pre-hire test reports
- ✓ FAT documentation

## Support from our engineers

Our experienced engineers and operators can support you with:

- Mobilisation and operation of the equipment
- Equipment modifications for your project
- Advice on deck arrangements
- On-site installations, commissioning, testing and operating

Our multi-disciplined technicians are ready to mobilise 24/7, whether with remote diagnostics or delivering on-site assistance. Royal IHC has a global network with locations on all continents, so support is always close by, wherever you operate.

## Build a rental package

Access our full range of rental assets, including:

- Hydraulic winches
- Open and closed loop hydraulic power units
- Tracked cable tensioners (including breakback)
- Linear cable engines
- Cable drum engines
- Powered quadrants

Speak with our knowledgeable rentals team to find the best custom solution for your next project.

Email: [rentals@royalihc.com](mailto:rentals@royalihc.com)

Tel: +44 1670 365 913