



# **IHC SA PRODUCTS INFORMATION**

June 2026

# OTTer<sup>®</sup> PUMP ATTACHMENTS



CUTTER HEAD



PLAIN SUCTION HEAD



LEVELLER HEAD



AUGER HEAD

# OTTer® 300 (250kW) – IN STOCK



# OTTer<sup>®</sup> 200 Electric (95kW) – IN STOCK

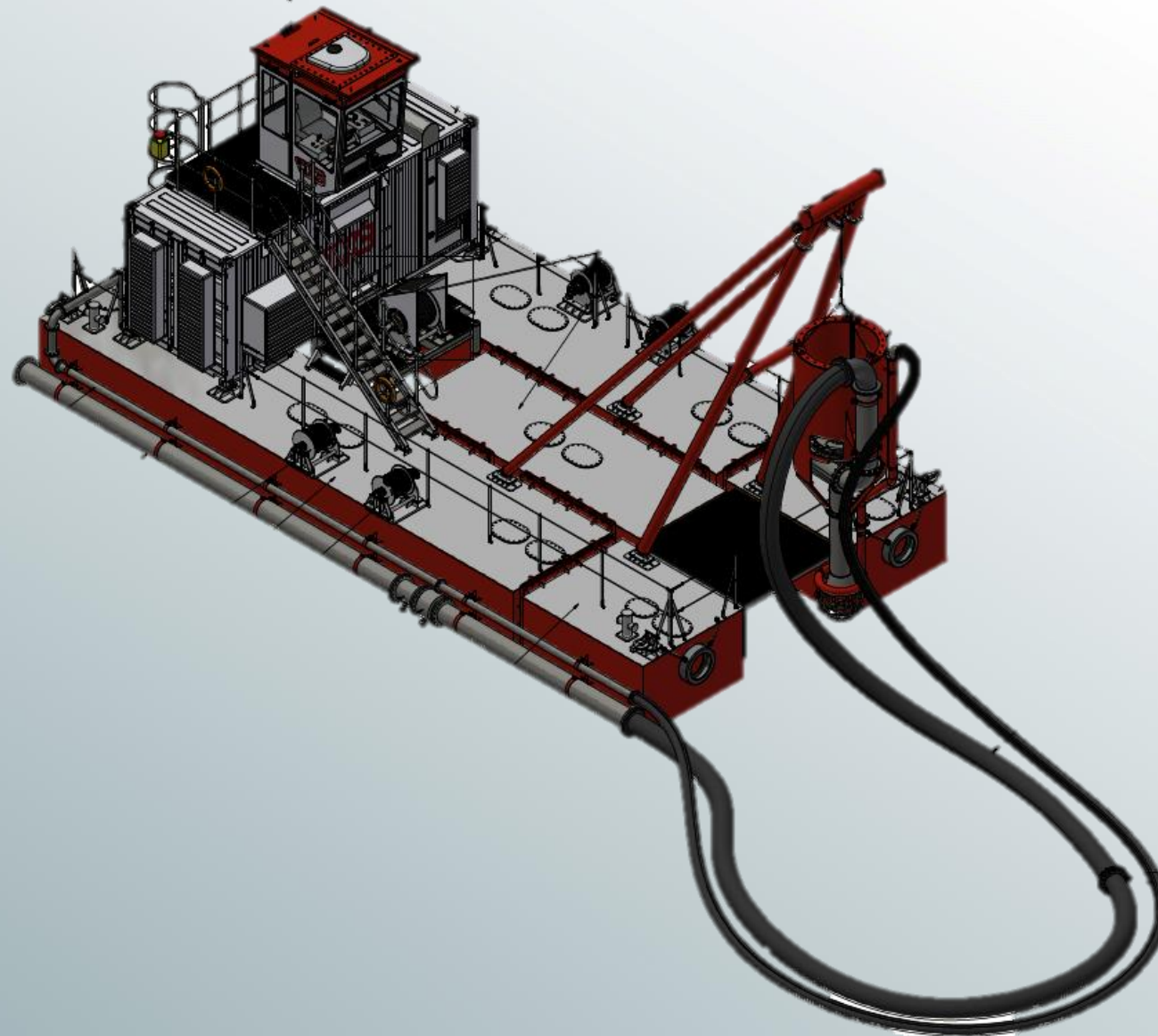


# OTTer<sup>®</sup> DREDGER VERTICAL DEPLOYMENT

- IHC OTTer<sup>®</sup> Pump suspended over A-frame & lowered under gravity to the dredge surface
- Standard versions: OTTer<sup>®</sup> 20V & 25V
- Extended versions: OTTer<sup>®</sup> 30V & 35V
- IHC OTTer<sup>®</sup> pump is fitted with:
  - sand production head & jetting water
- 50 meters dredge depth
- Soil types
  - silt
  - medium fine sand
  - gravel



# OTTer<sup>®</sup> 30V & 35V DREDGER



# OTTer<sup>®</sup> DREDGER HORIZONTAL DEPLOYMENT

- Deployed via ladder from A-frame
- Dredging depth 10m
- Standard OTTer<sup>®</sup> 20H & 25H
- OTTer<sup>®</sup> Pump with cutter or auger
- Cutter for densely packed material
- Auger for silty or loose material



# OTTer<sup>®</sup> 25H CUTTER DREDGER



# OTTer® 25H AUGER DREDGER



# OTTer<sup>®</sup> DREDGER > LAUNCH



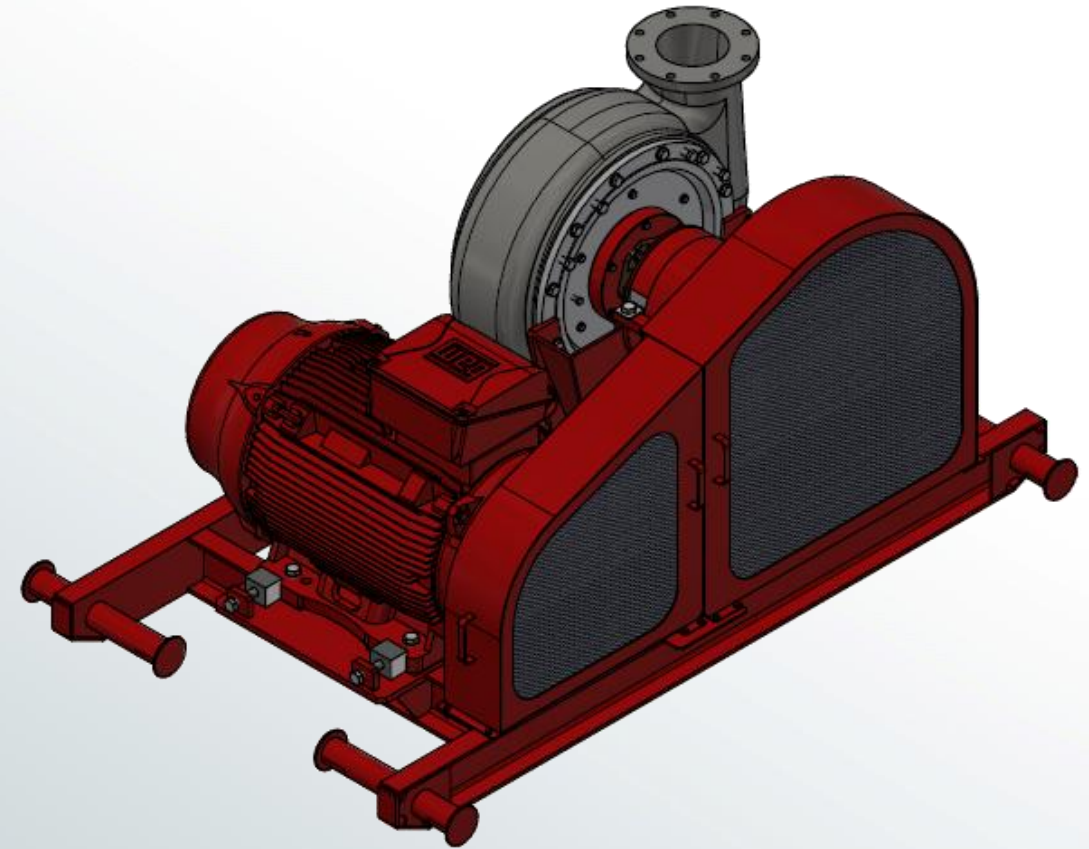
# OTTer<sup>®</sup> BOOSTERS

- Increase boost pressure and flow
- Containerized 20ft
- Diesel or electric
- Fully automated
- Matched with Beaver<sup>®</sup> 30 & Beaver<sup>®</sup> 40



# OTTer<sup>®</sup> BOOSTERS

- Electric Driven
- Compact Skid Mounted
- Robust
- High efficiency



# AMPHIBIOUS EXCAVATORS with OTTer<sup>®</sup> Pump





**Mining Creating the mining future**